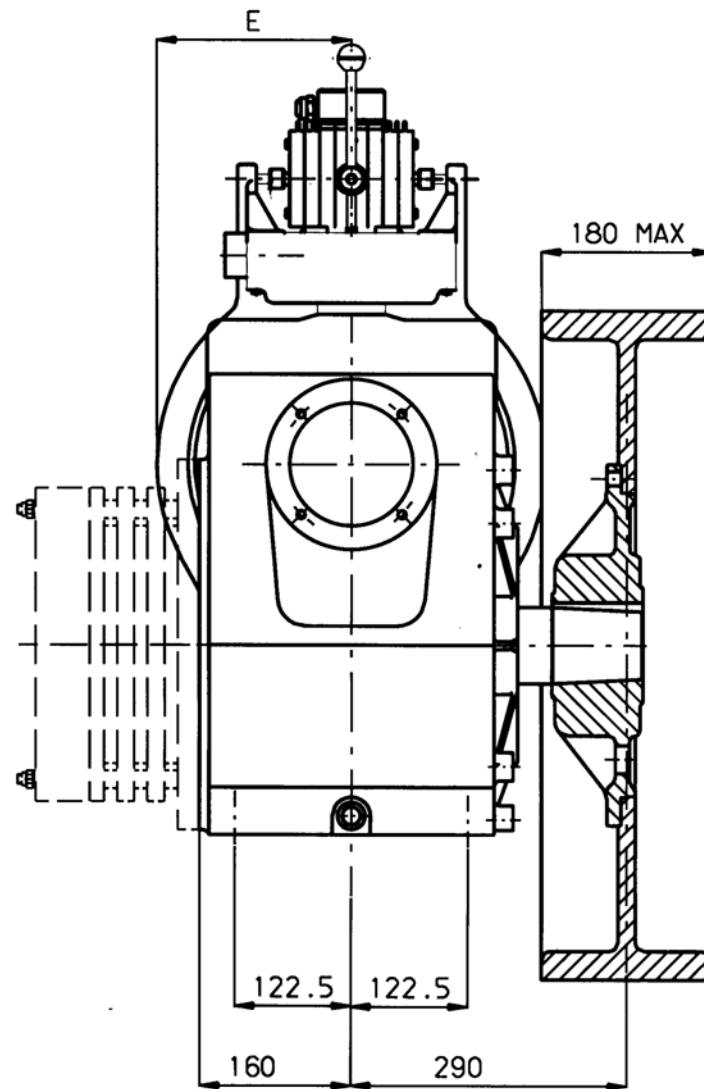
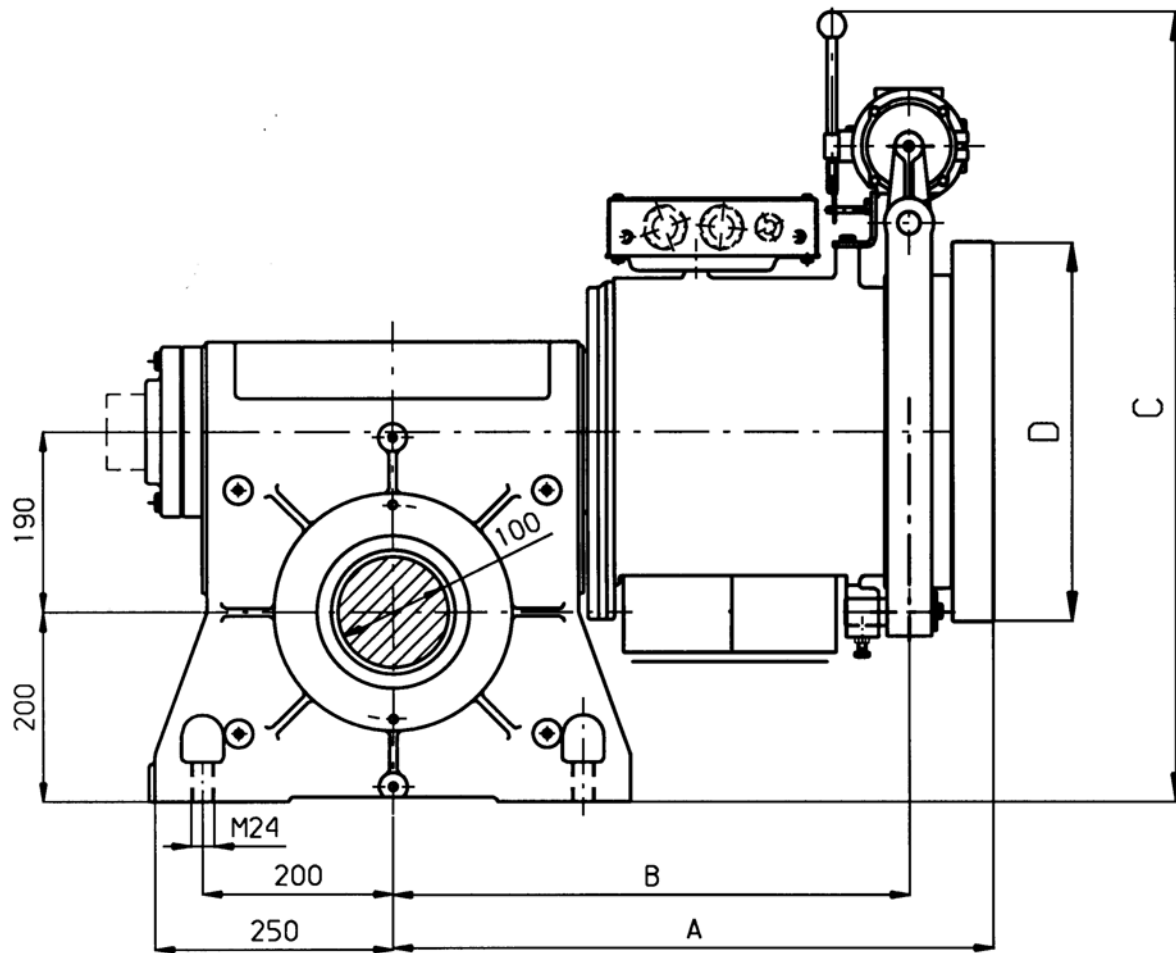


MF 84 MOTOR 240 - 270



**4/16
POLES**

kW _{SYNC}	6/7.3	9.2/11	11.8/20.6
A	615	630	820
B	530	555	670
C	790	830	835
D	400	460	460
E	200	205	---

**6/24
POLES**

kW _{SYNC}	5.5/6.6	7/11.8
A	630	820
B	555	670
C	830	835
D	460	---
E	205	---

VVVF

kW _{SYNC}	5.9/13.2	13.6/20.6	21/25
A	620	640	815
B	530	555	670
C	790	830	835
D	400	400	400
E	200	205	---